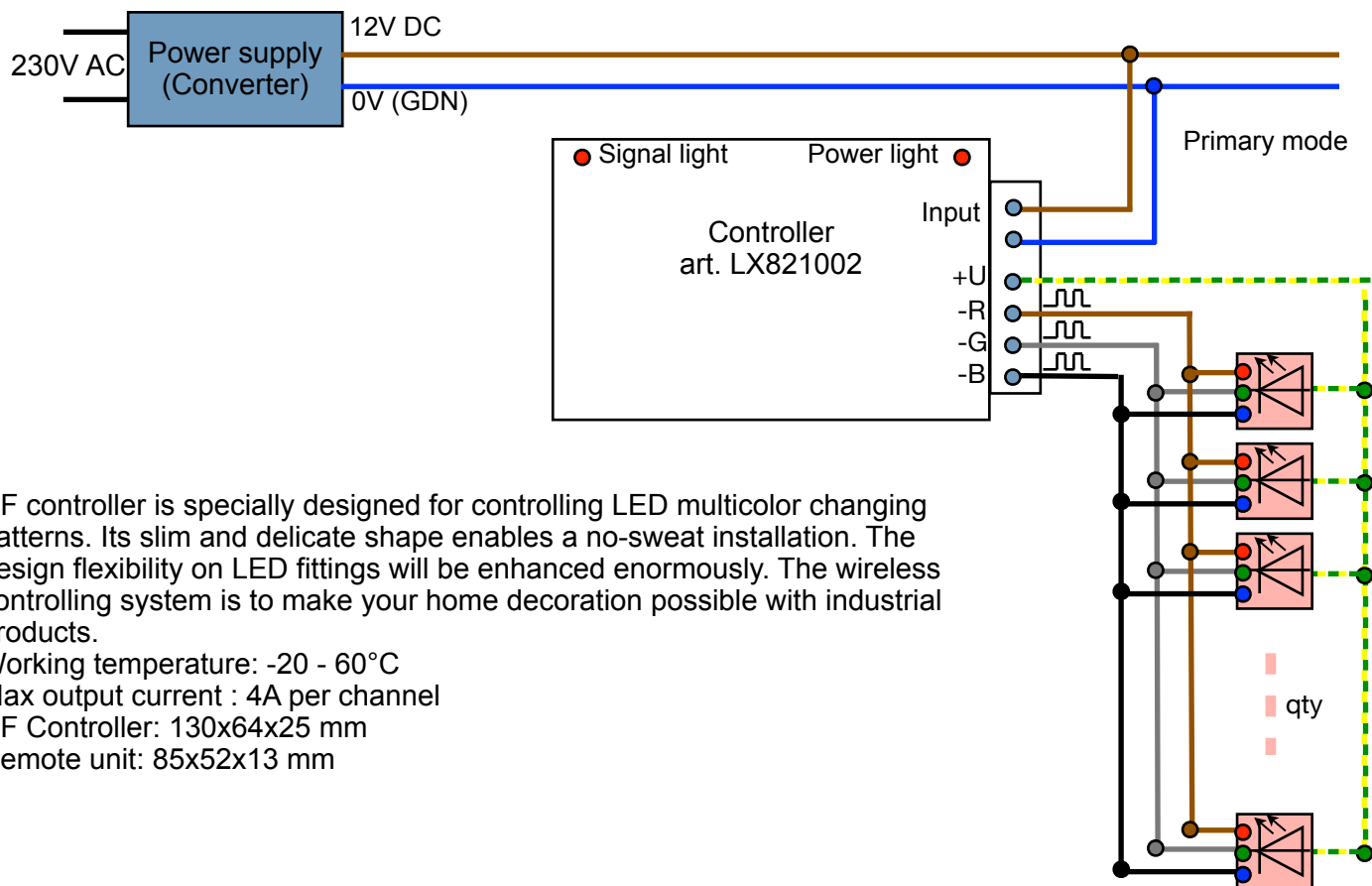


Circuit diagram for connection of RGB lights using Controller LX821002



RF controller is specially designed for controlling LED multicolor changing patterns. Its slim and delicate shape enables a no-sweat installation. The design flexibility on LED fittings will be enhanced enormously. The wireless controlling system is to make your home decoration possible with industrial products.

Working temperature: -20 - 60°C

Max output current : 4A per channel

RF Controller: 130x64x25 mm

Remote unit: 85x52x13 mm

Control method:

ON/OFF

Play/stop

Brightness increase, decrease

Static color: brightness is adjustable, speed is unadjustable.

Auto: moving all the modes automatic

Jump3: 3 color step change - speed and brightness are adjustable.

Fade3: 3 color fade change - speed is adjustable, brightness is unadjustable.

Speed+: Speed increase

Flash: 7 colors flash frequency - speed and brightness are adjustable.

Jump7: 7 colors step change - speed and brightness are adjustable.

Fade7: 7 colors fade change - speed is adjustable, brightness is unadjustable.

Speed-: Speed decrease.

*** Please note that pressing of WHITE button (pre-programmed on the remote control unit) doesn't give exactly white color (in fact it is slightly purple). It's a technical feature and can't be considered as malfunction.